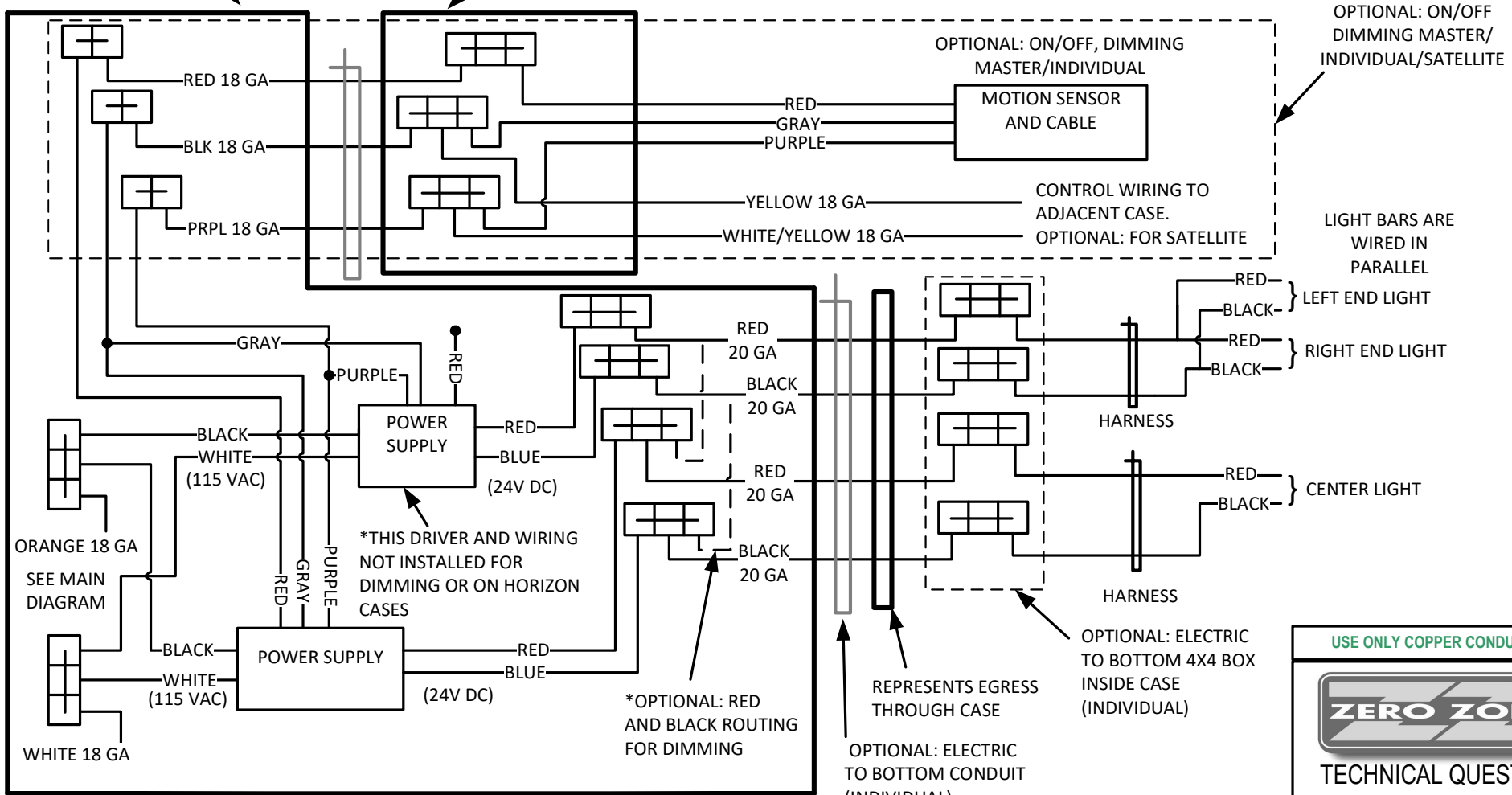


ELEC BOX (TOP MOUNTED ON CRYSTAL ONLY)

OPTIONAL: TOP MOUNTED 4X4 ELEC BOX



MOTION SENSOR SETTINGS: ↑ ON ↓ OFF

DIMMING LEVEL	1	2	TIMING DELAY	3	4	LIGHT SENSITIVITY	5	DIMMING ON/OFF	6
0	ON	ON	30 SECONDS	ON	ON	POOR	ON	OFF	OFF
10	ON	OFF	1 MINUTE	ON	OFF	GOOD	OFF	ACTIVATED	ON
20	OFF	ON	2 MINUTE	OFF	ON				
50	OFF	OFF	8 MINUTE	OFF	OFF				

USE ONLY COPPER CONDUCTORS



TECHNICAL QUESTION?
CALL 1-800-247-4496

MODEL No.
LABEL W/D AUX LIGHTING
4-DOOR FRENCH SWING VLC,
VMC, HCC, HZC, ORMCD

DWG No. **65-1335-24** REV. **F**