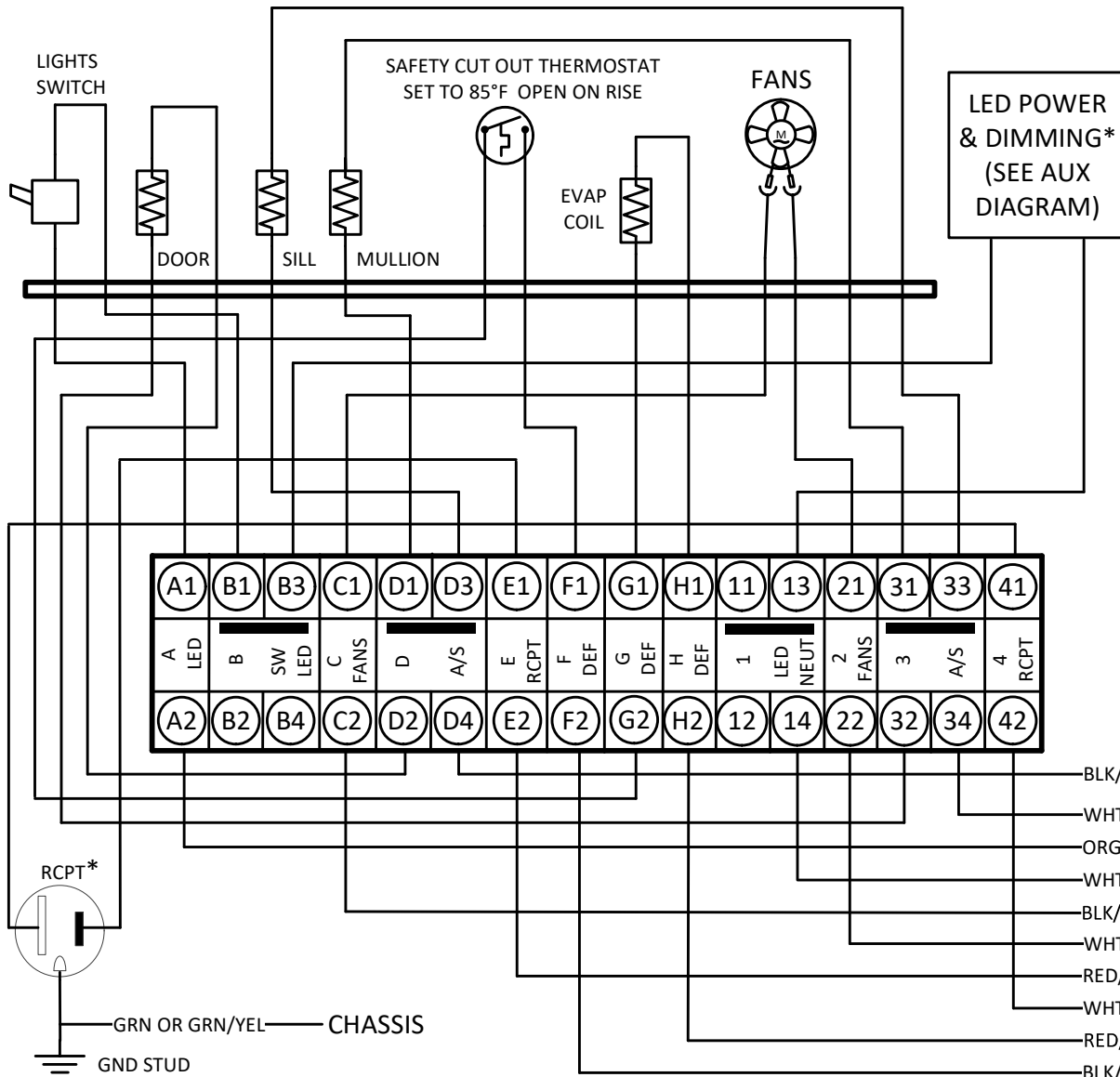


* OPTIONAL PART



TERMINAL BLOCK LOAD-SIDE CONNECTION DETAILS		
FROM	TO	COLOR
TB4 - 41	RCPT NEUT	WHT
TB3 - 31	MULLION A/S NEUT	WHT/RED
TB3 - 32	DOOR A/S NEUT	WHT
TB3 - 33	SILL A/S NEUT	BLK
TB2 - 21	FANS NEUT	BLU-RIBBED
TB1 - 11	LED NEUT DRIVER 2	WHT
TB1 - 13	LED NEUT DRIVER 1	WHT
TBH - H1	COIL DEF	BLK
TBG - G1	COIL DEF	BLK
TBG - G2	DEFROST KLIXON	BRN
TBF - F1	DEFROST KLIXON	BRN
TBE - E1	RCPT LINE	BLK
TBD - D1	MULLION A/S LINE	RED/WHT
TBD - D2	DOOR A/S LINE	RED
TBD - D3	SILL A/S LINE	BLK
TBC - C1	FANS LINE	BLU-SMOOTH
TBB - B1	LED SWITCH	ORG
TBB - B2	SWITCHED LED LINE DRIVER 2	BLK
TBB - B3	SWITCHED LED LINE DRIVER 1	BLK
TBA - A1	LED SWITCH	ORG
GND STUD	RCPT GND	GRN

- BLK/R-P-O — A/S HEAT
- WHT/R-P-O — LIGHTS
- ORG — FANS
- WHT/ORG — RECEPTACLE
- BLK/YEL — COIL DEF
- WHT/YEL —
- RED/PUR —
- WHT/PUR —
- RED/GRY —
- BLK/GRY —



ZERO-ZONE.COM
800-247-4496

RHLC RHZC TOP CTRL
208V ELEC DEF

DWG No. 65-1961-001 REV. F