



Refrigeration Data

Refrigeration	
Evaporator Temperature (°F) ¹	
Baseline Btu/h ^{2,3}	
Discharge Air Temperature (°F) (w/ 8°F Superheat)	
Btu/h Adders	
Optional Glass Windowed End Panel (Each)	
Anti-Sweat High Humidity Package	

Individual Case Data (Includes 1 Pair of End Panels)	
1-Door	
	28
	490
	33
1-Door	
	175
	120

Electrical & Energy Data ⁴

Fan Motors (115V) ⁵	
High Efficiency Electronic (ECM or SSC)	
Lighting System (120V)	
LED Lighting (Zero Zone ChillBrite 4244)	
Anti-Sweat Heat (115V) ⁶	
Standard-Energy Doors (Zero Zone CoolView Envision)	
High Humidity Package (Zero Zone CoolView Envision) ⁷	
Solid Doors (Zero Zone CoolView Envision)	

Individual Case Data (Includes 1 Pair of End Panels)		
1-Door		
Amps	Watts	
0.30	11	
Amps	Watts	
0.15	18	
Amps	Watts	
0.16	18	
0.57	66	
0.16	18	

Physical Data

Refrigeration Piping: R-404A & R-448A ⁸	
Suction Line O.D. (Standard Refrigeration Exit)	
Liquid Line O.D.	
Refrigeration Piping: CO2 ⁸	
Suction Line O.D. (Standard Refrigeration Exit)	
Liquid Line O.D.	

Outlet Size (in.)	
1-Door	
	3/8
	1/4
1-Door	
	3/8
	1/4

Case Calculations	Solid End Panel
Facings (ft. ²)	N/A
Packout (ft. ³) 22" Shelves	N/A
Packout (ft. ³) 24" Shelves	N/A
Weight (lbs.)	30

1-Door	
	13.6
	25.4
	27.3
	530

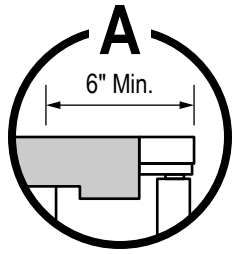
Notes:

- For high-glide refrigerants, use dew point for unit sizing. Adjust evaporator pressure as needed to maintain discharge air temperatures.
- Baseline Evaporator Btu/h based on parallel rack system, LED lighting (Zero Zone ChillBrite® 4190), standard-energy doors (Zero Zone CoolView® Envision®), and ECM or SSC electronic fan motors.
- For condensing units (non-rack system), multiply total Btu/h rating by 1.06.
- Amps are based on electrical nameplate values. Watts are based on laboratory observations of actual energy use.
- One fan motor per door.
- Door (Anti-Sweat) Options: standard-energy and high humidity package = heated glass and heated rails; solid doors = heated rails. All options include mullion and sill heat.
- Anti-Sweat Controller required for the high humidity package to comply with DOE energy requirements.
- Individual risers for circuits of more than one case require refrigeration line sizing by Zero Zone.

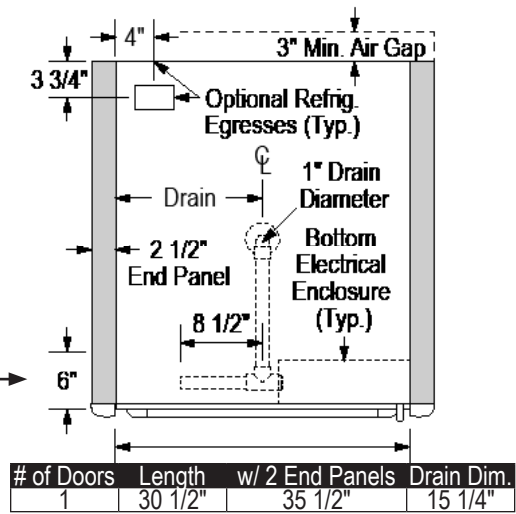


Highlight Merchandiser® 1RHMC30 Specs

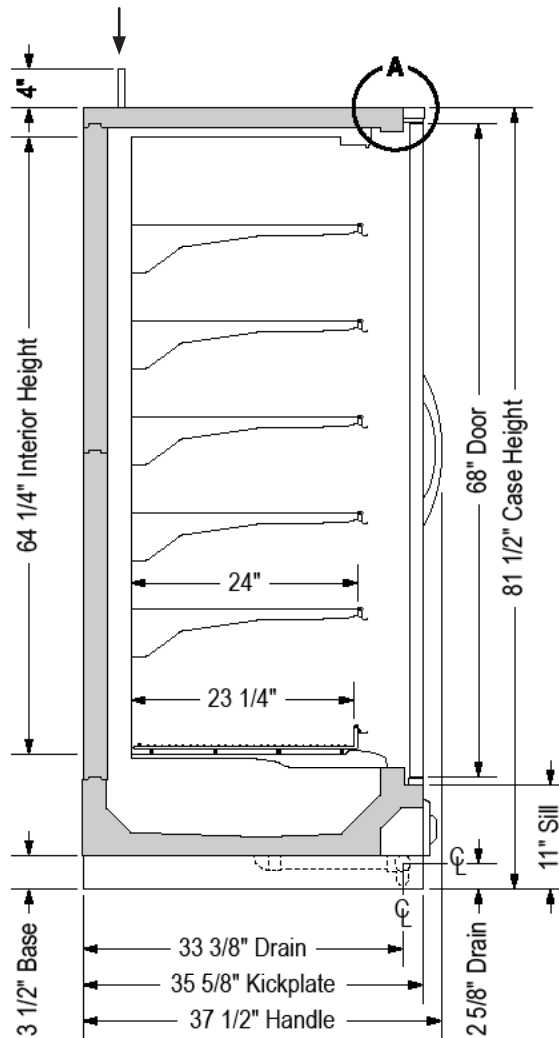
1-Door Medium Temp Reach-Ins with 30" x 68" CoolView® Envision® Doors



Building soffits must be set back at least 6" from the front of the doors to allow access to electrical wiring on the top of the case.



Top 1
inche



SS-124-C

Specifications are subject to change without notice. All dimensions are nominal.
Case designed to operate in an ambient temperature of 75°F and relative humidity of 55% or lower.

9/27/2023



Zero Zone, Inc.
800-247-4496 • www.zero-zone.com
© 2023 Zero Zone, Inc.

